

### ➤ General Description

The PAE1509UT is an ESD transient voltage suppression component which provides a very high level of protection for sensitive electronic components that may be subjected to electrostatic discharge (ESD). It is particularly well-suited for cellular phones, portable device, digital cameras, power supplies and many other portable applications because of its small package and low weight.

The PAE1509UT is Uni-directional, Safely dissipate ESD strikes of Level 4, IEC61000-4-2, exceeding the maximum requirement. Using the MILSTD-883 (Method 3015) specification for Human Body Model (HBM) ESD, the device provides protection for contact discharges to greater than +/-10KV.

The PAE1509UT is available in a SOD-523 package with peak reverse working voltage of 5 voltages.

### ➤ Feature

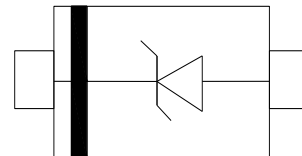
- Peak Reverse Working Voltage: 5V
- Low leakage current
- High ESD protection Level: >+/-15KV per HBM
- IEC61000-4-2 Level 4 ESD Protection
- IEC61000-4-4 Level 4 EFT Protection

### ➤ SOD-523



### ➤ Application

- Cell phone handsets and accessories
- Personal Digital Assistants (PDAs)
- Notebooks, Desktops, and Servers
- Portable Instrumentation
- Digital Cameras



➤ **Maximum Ratings (TA=25°C Unless otherwise specified)**

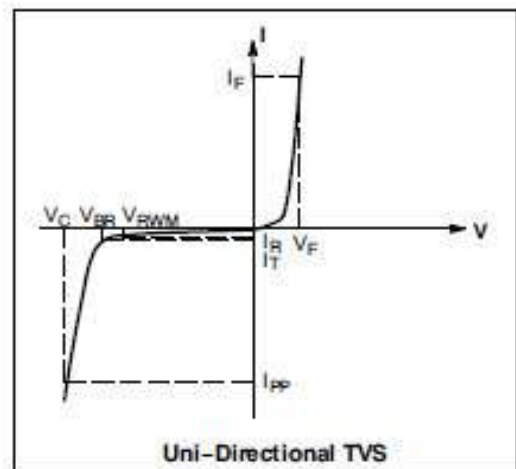
Parameter	Symbol	Typical	Unit
Maximum Peak Pulse Current ( tp = 8/20 μs )	I <sub>PP</sub>	9.0	A
ESD Per IEC 61000-4-2 (Air) ESD Per IEC 61000-4-2 (Contact)	V <sub>PP</sub>	±15 ±10	KV
Maximum Lead Temperature for soldering during 10s	T <sub>L</sub>	260	°C
Storage temperature range	T <sub>stg</sub>	-55 ~ +150	°C
Operating temperature range	Top	-55 ~ +150	°C

➤ **Electrical Characteristics (TA=25°C Unless otherwise specified)**

Parameter	Symbol	Conditions	Min.	Typ	Max.	Unit
Reverse Stand – Off Voltage	V <sub>RWM</sub>				5.0	V
Reverse Breakdown Voltage	V <sub>BR</sub>	I <sub>T</sub> = 1mA	6.2			V
Reverse Leakage Current	I <sub>R</sub>	V <sub>RWM</sub> = 5V			1.0	μA
Clamping Voltage	V <sub>C</sub>	I <sub>PP</sub> = 1A			8.0	V
Junction Capacitance	C			0.5	0.9	pF

**Electronics Parameter**

Symbol	Parameter
V <sub>rwm</sub>	Peak Reverse Working Voltage
I <sub>r</sub>	Reverse Leakage Current @ V <sub>rwm</sub>
V <sub>br</sub>	Breakdown Voltage @ I <sub>t</sub>
I <sub>t</sub>	Test Current
I <sub>pp</sub>	Maximum Reverse Peak Pulse Current
V <sub>c</sub>	Clamping Voltage @ I <sub>pp</sub>
P <sub>pk</sub>	Peak Power Dissipation
C	Junction Capacitance
I <sub>f</sub>	Forward Current
V <sub>f</sub>	Forward Voltage @ I <sub>f</sub>



### ➤ Typical Characteristics

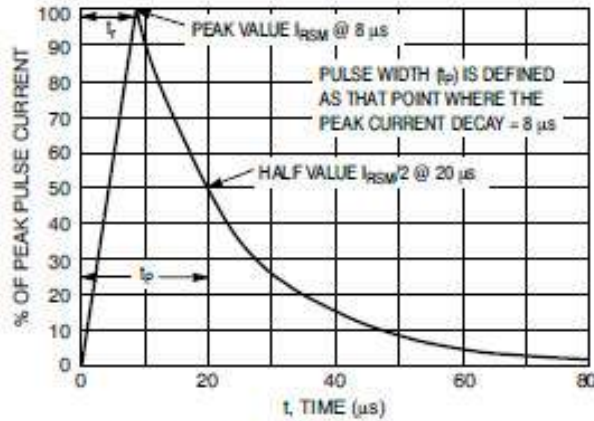


Figure 1. 8 X 20  $\mu$ s Pulse Waveform

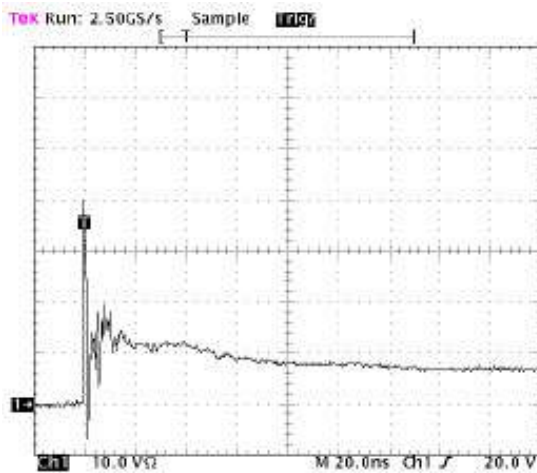


Figure 2. ESD Clamping Voltage Screenshot Positive 8 kV Contact per IEC61000-4-2



Figure 3. ESD Clamping Voltage Screenshot Negative 8 kV Contact per IEC61000-4-2

#### IEC 61000-4-2 Spec.

Level	Test Voltage (kV)	First Peak Current (A)	Current at 30 ns (A)	Current at 60 ns (A)
1	2	7.5	4	2
2	4	15	8	4
3	6	22.5	12	6
4	8	30	16	8

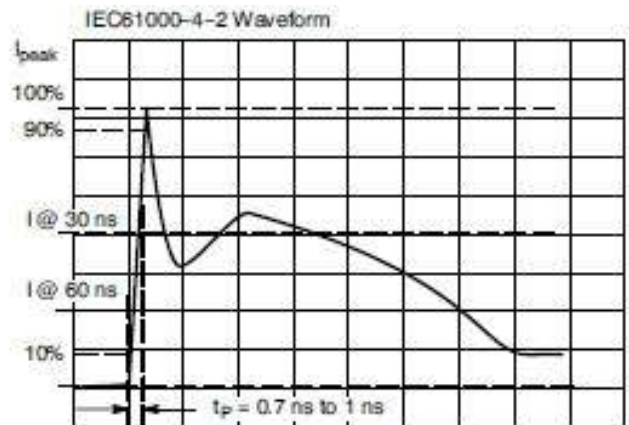
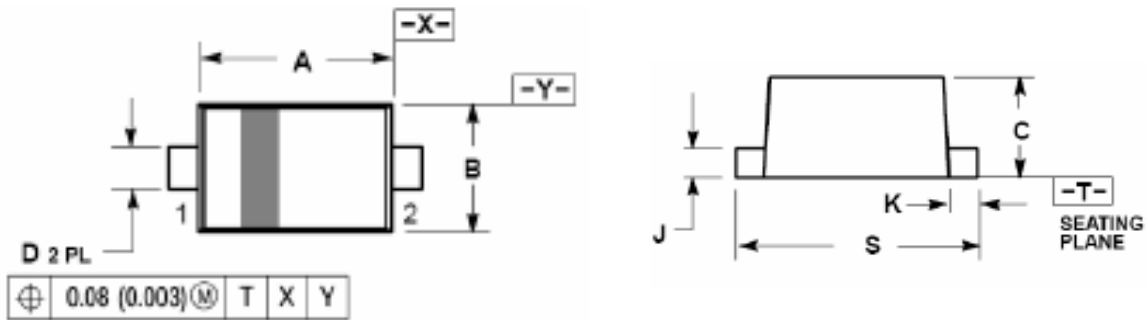


Figure 4. IEC61000-4-2 Spec

### ➤ Package Information (SOD-523)

Case Material: Molded Plastic. UL Flammability



Dim	Millimeters			Inches				
	Min	Nom	Max	Min	Nom	Max	Min	Nom
A	1.10	1.20	1.30	0.043	0.047	0.051	A	1.10
B	0.70	0.80	0.90	0.028	0.032	0.035	B	0.70
C	0.50	0.60	0.70	0.020	0.024	0.028	C	0.50
D	0.25	0.30	0.35	0.010	0.012	0.014	D	0.25
J	0.07	0.14	0.20	0.0028	0.0055	0.0079	J	0.07
K	0.15	0.20	0.25	0.006	0.008	0.010	K	0.15
S	1.50	1.60	1.70	0.059	0.063	0.067	S	1.50

### ➤ Ordering Information

Part Number	Description	Quantity
PAE1509UT	SOD-523 Reel	3000 pcs

## **DISCLAIMER**

- The information in this document and any product described herein are subject to change without notice and should not be construed as a commitment by Paceleader, Paceleader reserve the right to make changes to the information in this document.
- Though Paceleader make effort to improve product quality and reliability, Product can malfunction and fail due to their inherent electrical sensitivity and vulnerability to physical stress, it is the responsibility of the customer, when utilizing Paceleader products, to comply with the standards of safety in making a safe design for entire system and to avoid situation in which a malfunction or failure., In developing a new designs, customer should ensure that the device which shown in this documents are used within specified operatingranges.
- The information contained herein is presented only as a guide for the applications of our products. No responsibility is assumed by Paceleader for any infringements of patents or other rights of the third parties which may result from its use.