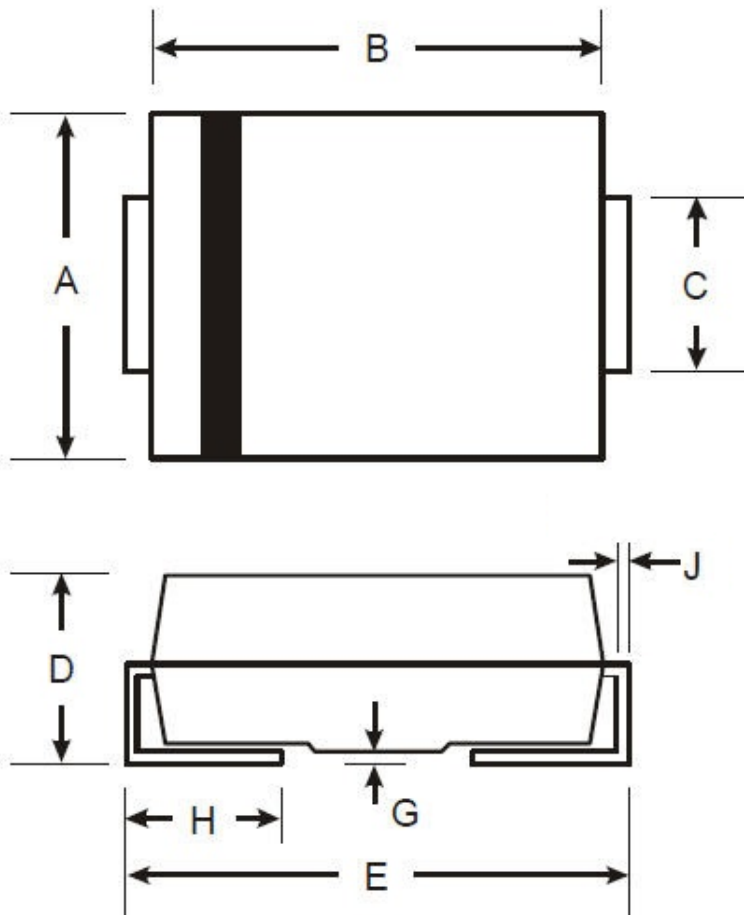


Package Dimensions

SMC



SMC		
Dim	Min	Max
A	5.59	6.22
B	6.60	7.11
C	2.90	3.20
D	2.06	2.62
E	7.75	8.13
G	0.10	0.20
H	0.76	1.52
J	0.15	0.31
All Dimensions in mm		